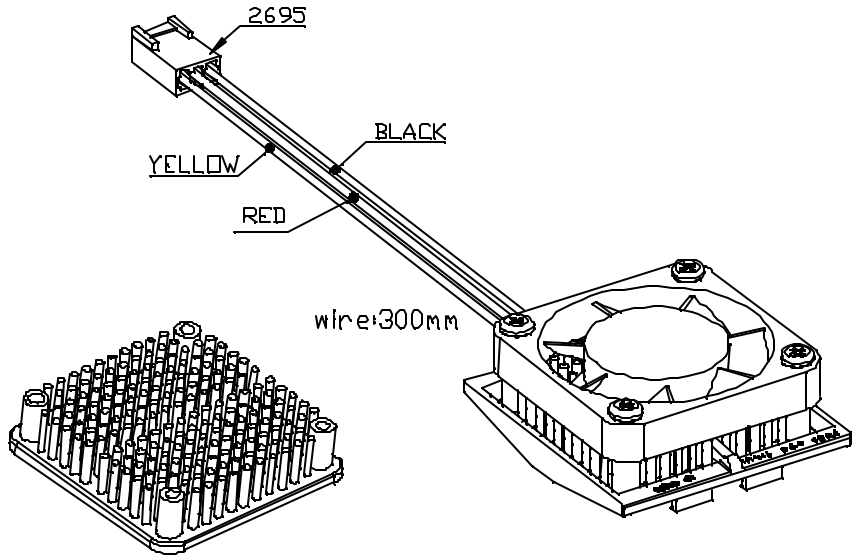




Model : CMBF3235351801-00

BGA COOLER



SPECIFICATION

COOLER

Total dimension	35*35*18(h)mm
Weight	20g
Rth	2.533 C/W

FAN

Dimension	35*35*6(h)mm.
Bearing	GM0535PEV1-8
Voltage	5 V.DC
Speed	7600 R.P.M.+/- 20%
Air flow	5.5 CFM
Noise	26 dB-A

HEATSINK

Material	AL6063
Technology	Forge
Dimension	35*35*8.9((h)mm
Base (thickness)	1.7mm
Weight	9 g.